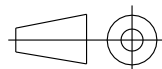
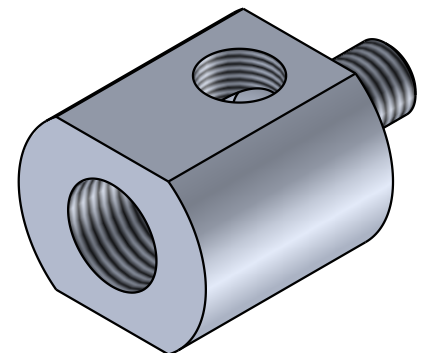
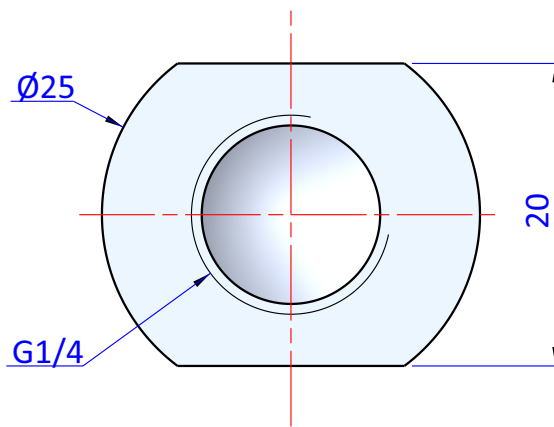
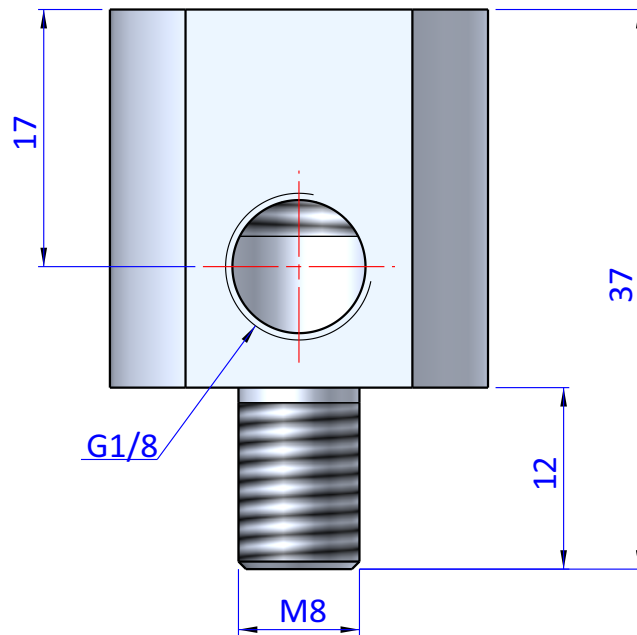


THE PROPERTY OF THE DRAWING IS ESTABLISHED BY LAW. IT IS FORBIDDEN TO PRODUCE OR SHOW IT TO THIRD PART. WITHOUT A WRITTEN AGREEMENT.



DESIGNED FROM  
FPS Automation

REVIEW  
A

DATE  
13/10/2020

WEIGHT  
0,024kg

CODE  
CA.SAIG14G18M822

Format A4

UNI 936-76

GENERAL TOLERANCE

UNI - ISO 2768

CLASSE f

DESCRIPTION

CA.SAIG14G18M822